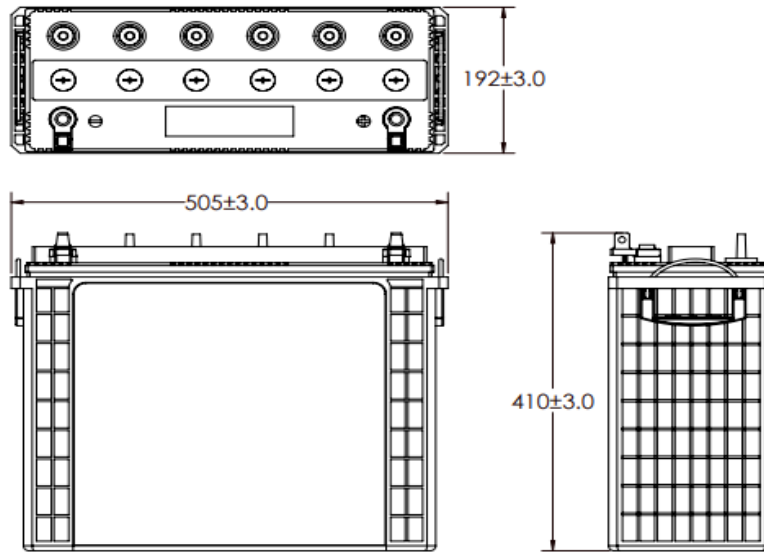


**Model - 12V300Ah****Product Features: -**

1. Robust Tubular with High Pressure die-casted spine- resulting low rate of spine corrosion.
2. Spill Proof Vent plug – resulting in no spillage on top and low controlled acid fumes.
3. Optimized Negative paste receipt for fast charge acceptance
4. Consistent backup throughout life
5. Low Self Discharge
6. Excellent performance on deep cyclic application as compare to AGM VRLA
7. Very High Design & Service Life
8. Low water loss

**Technical Specifications**

Model	Nominal Voltage	Rated Capacity 20 Hr @ 27°C (Ah)	Dimensions in mm			Battery Gross Weight [Kg] [±3%]	Terminal Type
			Length (± 3 mm)	Width (± 3 mm)	Height up to terminal (± 3 mm)		
12V300Ah	12	300	505	192	410	73.50	L



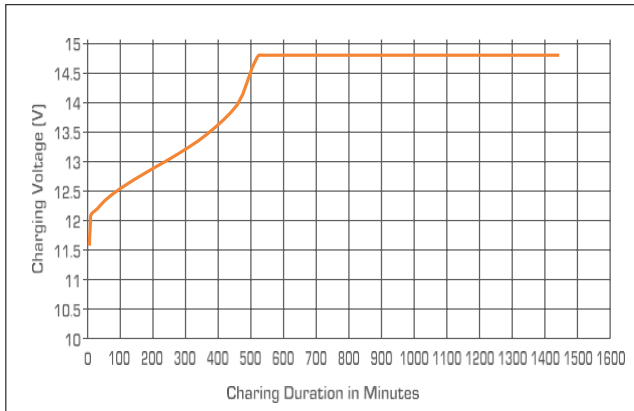
# Tubular Battery Data Sheet

## Electrical Parameters & Charging Profile

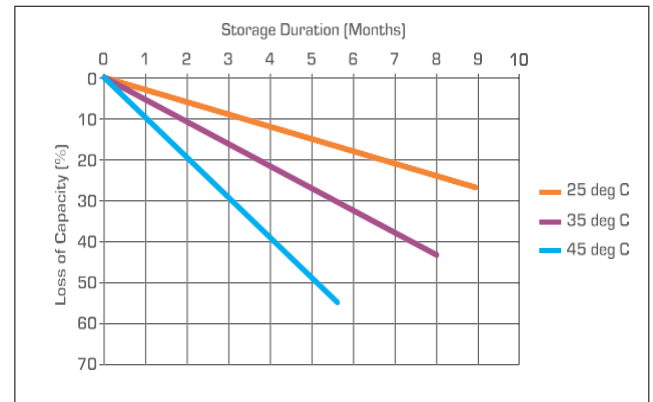
### Battery Specified Capacity Test @ 27 °C

Model	C20 @ 10.5V	C10 @ 10.5V	C7 @ 10.5V	C5 @ 10.5V	C3 @ 10.5V	C1 @ 10.5V	400Watt (33A) @10.5V Backup Time (In Minimum 3Cycles)
12V300Ah	300	265	242	219	189	132	6Hrs 20Min
Ah & Wh Efficiency							
Ah Efficiency	>90%			Wh Efficiency			>75%

Charging Profile



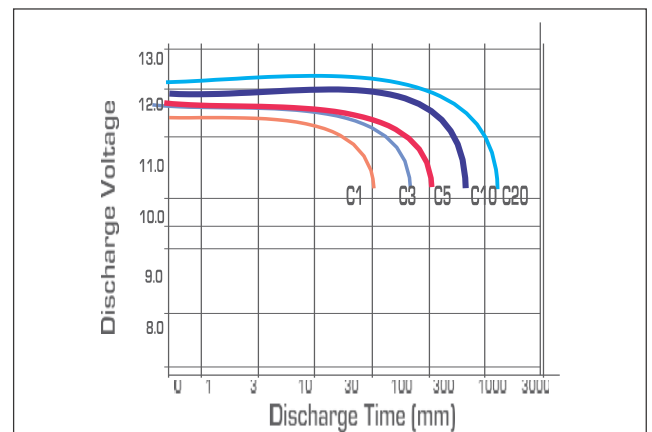
Self Discharge Characteristics @ Different Temperature



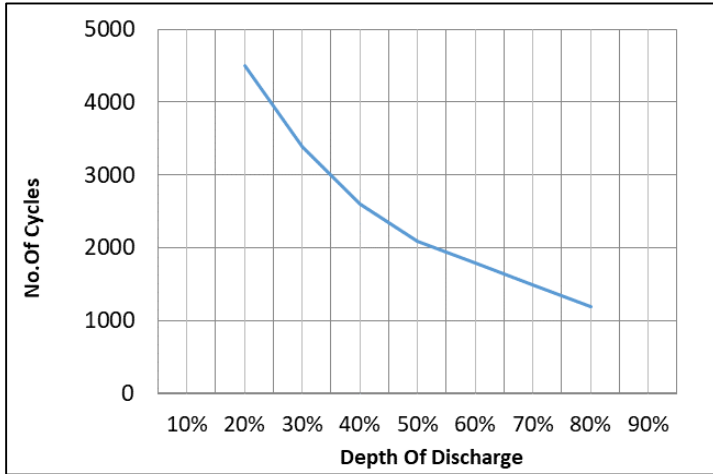
State of Charge Measure of Open-circuit Voltage @ 27°C

State of Charge	Specific Gravity	Voltage
100%	1.260	12.7V
75%	1.225	12.4V
50%	1.190	12.1V
25%	1.155	12.0V
0%	1.120	11.8V

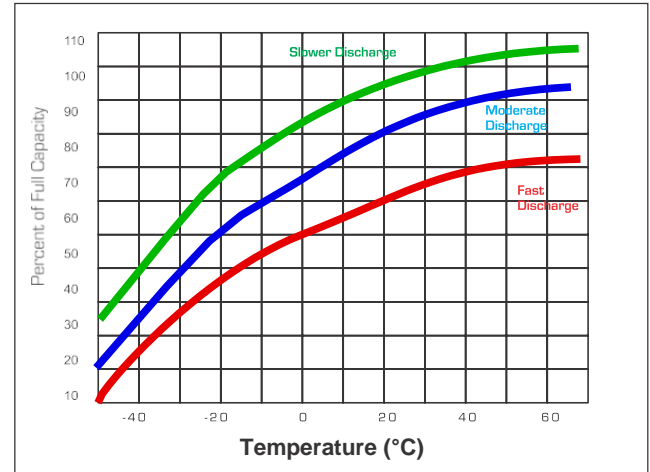
Discharging Characteristics at various rates @ 27°C



## DOD V/S LIFE CYCLE



## Expected Capacity Vs Temperature



## Charging Instructions

Charger Voltage Settings (at 77° F/ 25°C)			
System Voltage	12V	24V	48V
Maximum Charge Current	10% of rated capacity		
Float Voltage	13.6	27.2	54.4
Cyclic Use	14.4	28.8	57.6
Equalization Voltage	16	32	64
Do not install or charge batteries in a sealed or non-ventilated compartment. Constant under or overcharging will damage the battery and shorten its life as with any battery.			
Periodic Charge	Provide a periodic freshening charge to maintain a SOC greater than the threshold of 70%		

Zunax Energy Products LLB certified by Aambitious Assessments Pvt. Ltd.



### Zunax Energy Product LLP

Sy No 806, Farooq Nagar Mandal, Mahboob Nagar, Burgula Village,  
Dist. Rangareddy, Telangana - 509202 India